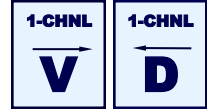


VersiVision - HD-SDI Video System

HDSDI-11



Product Features

- High Definition Video Transmission
- 1G & 3G Fiber Optic SFP Modules Available
- LED Indicators for Instant System Monitoring
- Redundant Output for Local Monitoring
- RS-485 Return Data
- Transmit up to 20km without Optical Attenuation
- No Electrical or Optical Adjustments Required
- Stand-Alone or Rack-Mount in FVC18 Chassis
- Hot-Pluggable into the FVC18 Chassis



Product Description

The VERSITRON **VersiVision** HD-SDI video transmitter and receiver system supports 1-channel of high definition video + 1-channel of RS-485 return data over multi-mode or single-mode optical fiber. Fully compliant with SMPTE424M, SMPTE292M, SMPTE159M and ITU video standards, the HDSDI-11 system ensures the highest performance for most HD video applications. The hot-pluggable and adjustment free design allows for easy installation and operation. A typical installation utilizes a *transmitter* unit at the video source end of the link, connected via fiber optic cable, to a *receiver* unit at the monitoring end of the link. Devices are available for either stand-alone or rack-mount installation with the FVC18 18-Slot Chassis. Required fiber optic SFP modules are sold separately, please see tables below.

Product Models

Model		Function			
HDSDI-11		Transmitter & Receiver System			
1G SFP Model	Speed	Connector	Fiber Cable	Wavelength	Max Distance
GB2MM	1G	LC Duplex	MM	1310nm	0.5 Km
GB10SM	1G	LC Duplex	SM	1310nm	10 Km
GB20SFA	1G	LC Simplex	SM	1310/1550nm	20 Km
GB20SFB	1G	LC Simplex	SM	1550/1310nm	20 Km
3G SFP Model	Speed	Connector	Fiber Cable	Wavelength	Max Distance
3GBMM	3G	LC Duplex	MM	1310nm	0.5 Km
3GB20SM	3G	LC Duplex	SM	1310nm	20 Km
3GB20SFA	3G	LC Simplex	SM	1310/1550nm	20 Km
3GB20SFB	3G	LC Simplex	SM	1550/1310nm	20 Km

VersiVision - HD-SDI Video System

HDSDI-11



Technical Specifications

VIDEO

Signal Type:	HD
Video Resolution:	8 Bit / 10 Bit Auto
Data Rate:	270 Mbps ~ 2.97 Gbps
TV Signal Standards:	SMPTE424M, SMPTE292M, SMPTE259M, DVB-ASI, ITU-R BT.601, ITU-R BT.1120

VIDEO INPUT

Video Input:	BNC (75 Ohms)
Input Channels (on Tx):	1
Output Channels (on Tx):	1 (for Local Viewing)
Data Rate:	19 Mbps ~ 2.97 Gbps
Nominal Level:	0.8 Vp-p
Min/Max Level:	0.5 V to 1.0 Vp-p
Return Loss:	≥ 15 dB @ 5 MHz to 1.5 GHz ≥ 10 dB @ 1.5 GHz to 3.0 GHz
Input Cable Equalization:	Up to -30 dB of cable loss

VIDEO OUTPUT

Video Output:	BNC (75 Ohms)
Video Output Channels (on Rx):	2
Re-Clock:	270 Mbps, 1.485 Gbps, 2.98 Gbps or bypassed for unrecognized rates
Nominal Level:	0.8 Vp-p
Min/Max Level:	0.5 V to 1.0 Vp-p
Return Loss:	<- 25 dB @ 100 MHz

DATA

Data Interface:	RS-485
Data Rate:	Up to 300 Kbps
Data Channels:	1 (Return Direction Only)
Bit Error Rate:	10 ⁻⁹

CONNECTORS

Optical:	LC
Video:	BNC
Data Contact:	Screw Terminal Strip

GENERAL

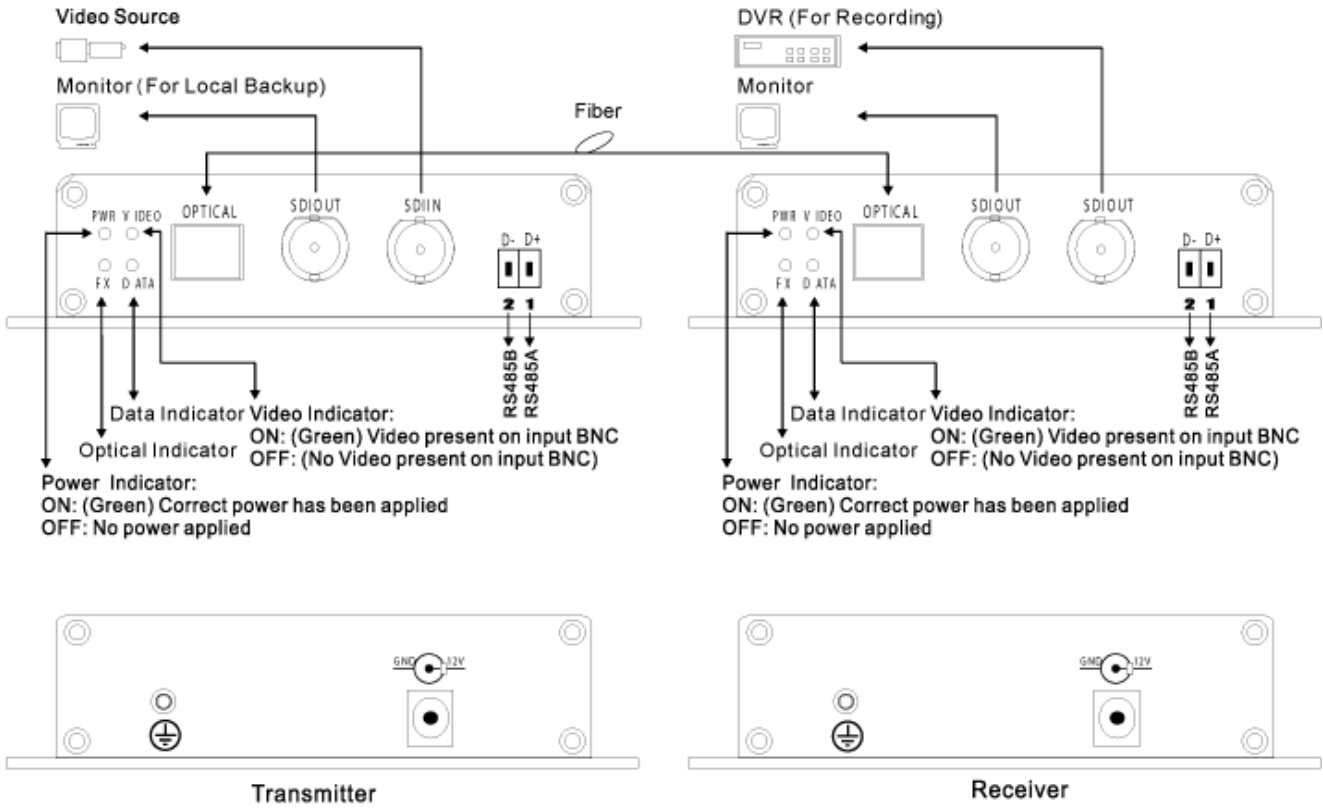
Power Supply:	12 VDC, 2A
Dimensions:	5.98 x 5.12 x 1.13 Inches
MTBF:	> 100,000 Hours
Operating Temperature:	-35° C to +65° C
Storage Temperature:	-45° C to +85° C
Relative Humidity:	0% to 95% (non-condensing)

VersiVision - HD-SDI Video System

HDSDI-11



Wiring Diagram



HDSDI11 HD-SDI VIDEO SYSTEM
1-Channel Video + 1-Channel Return RS-485 Data



HDSDI-11 with Multi-Mode Fiber



HDSDI-11 with Single-Mode Fiber